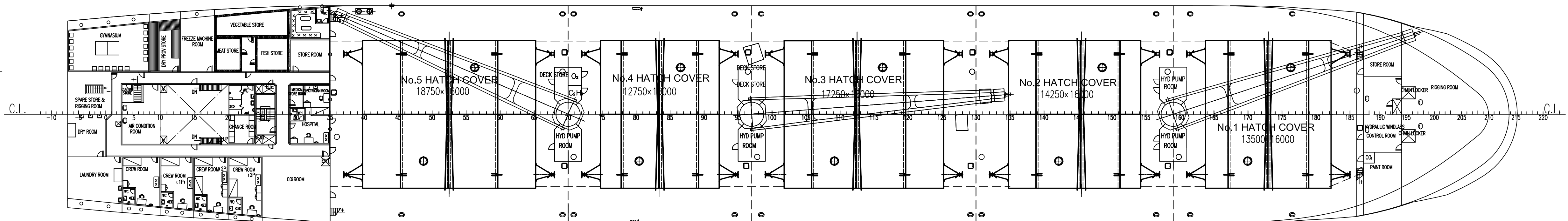
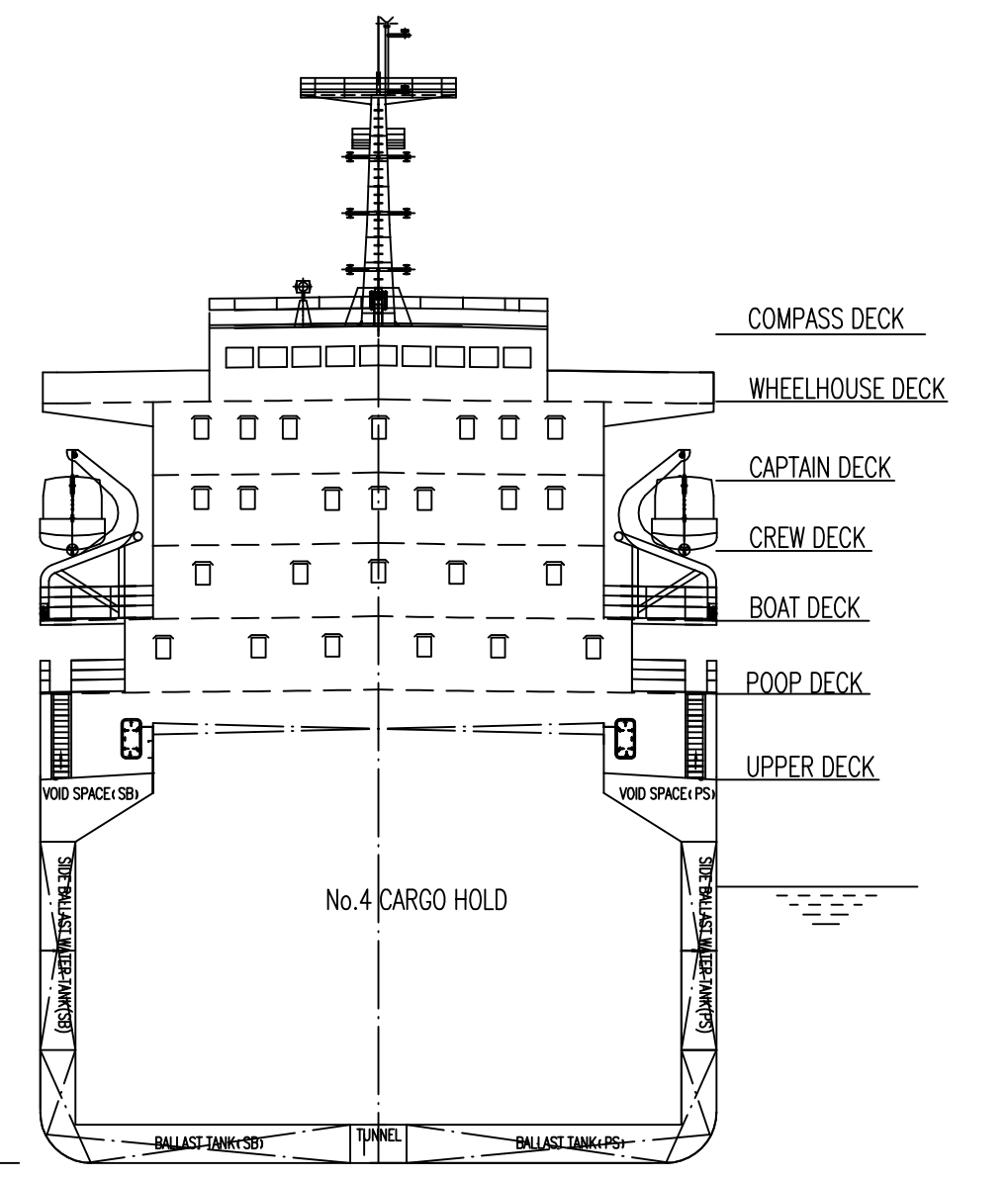
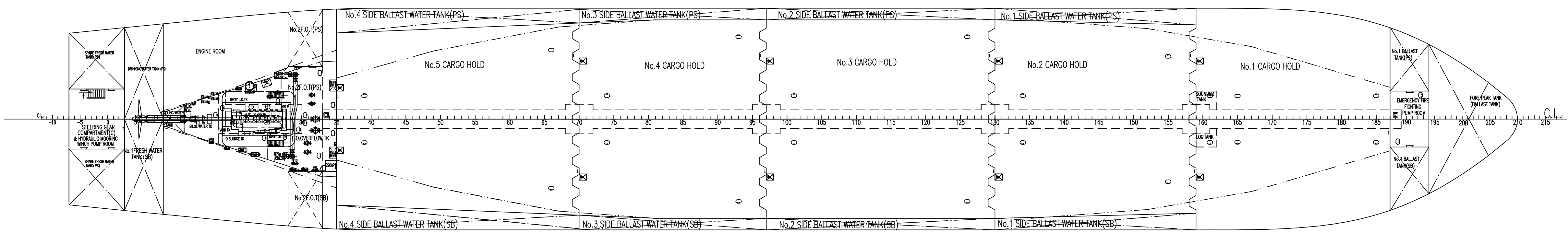


UPPER DECK



BOTTOM



M.V. KUANYIN PRINCIPAL PARTICULARS:

LENGTH oa	159.90m
LENGTH bp	149.80m
BREADTH moulded	24.0m
DEPTH moulded	13.6m
DESIGN DRAFT moulded	9.8m
DEADWEIGHT	22000t
MAIN ENGINE	MAN-B&W7S35MC
RATED POWWER	5180kW
RATED REVOLUTION	173rpm
SERVICE SPEED	13.5Kn
COMPLEMENT	30 P
CLASSIFICATION NOTATION	★ CSA, Bulk Carrier, Strengthened for Heavy Cargos, Holds No.2 and No.4 may be Empty,ESP ★ CSM

COR.MARKS	SIGN	DATE	22000WT BULK CARRIER	TECHNICAL DESIGN
DESIGNED	陆洪度		GENERAL ARRANGMENT	DRAWING NO. JR420-020-03C
CHECKED	梁新亮			PAGE
CHE. OF STD.			1 / 1	- kg
VERIFIED				
APPROVED	陈孝义			SHANGHAI JINGRONG TECHNOLOGY CO., LTD
DATE	2006.3.2.			