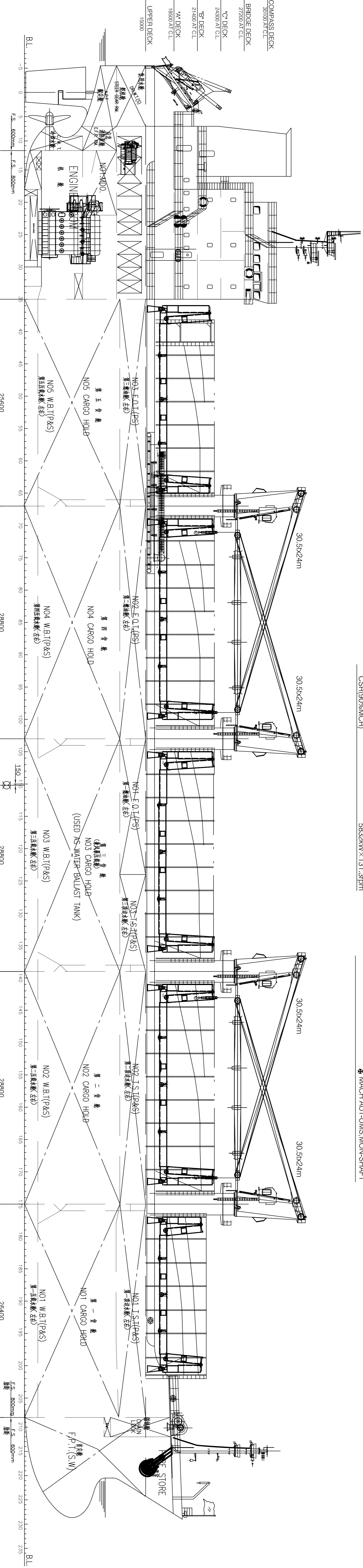


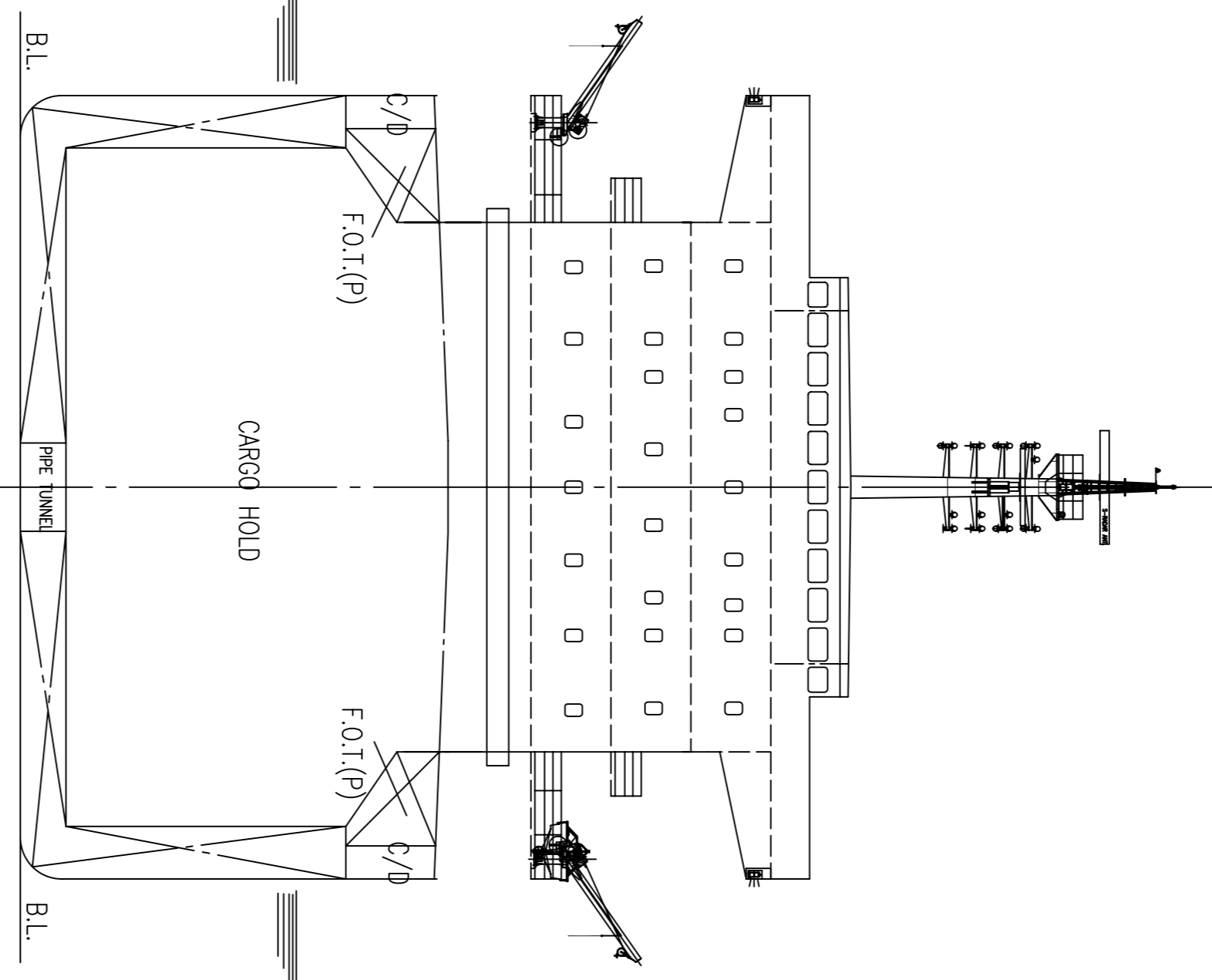
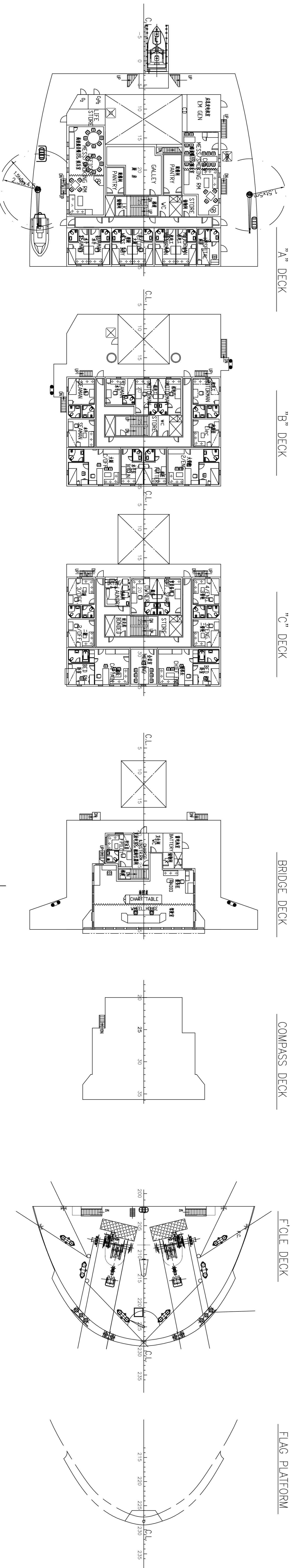
PRINCIPAL PARTICULARS

LENGTH O.A.	abt.179.90 m	COMPLEMENT	25P
LENGTH B.P.	171.50 m	SPEED	
BREADTH MLD.	28.40 m	SERVICE(=1000m CSR(90%MCR) with 15% S.M.)	abt. 13.7 knots
DEPTH MLD.	15.00 m	DESIGNED DRAFT	10.00 m
DESIGNED DRAFT	10.00 m	SCANTLING DRAFT	10.80 m
SCANTLING DRAFT	10.80 m	DEADWEIGHT (DESIGNED DRAFT)	abt. 31,500 M.T.
DEADWEIGHT (DESIGNED DRAFT)	abt. 31,500 M.T.	DEADWEIGHT (SCANTLING DRAFT)	abt. 35,000 M.T.
GROSS TONNAGE (I.C.T.M.)	abt. 21,620		

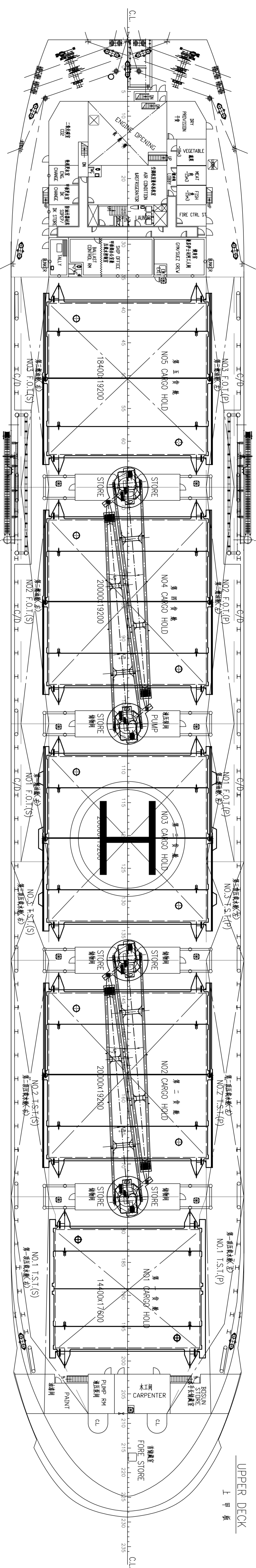
MAIN ENGINE		CLASS NOTATION	
MAN B&W 6S42WC (MARK7)	1 SET	BY: 1 * HULL Bulk Carrier CSR, BCA, (Hold Nos. 2, 4 May be empty), ESP	
MCR	6480KW×130.0rpm	VESSTAR-HULL LIN WATER SURVEY (GPABQ2)	
CSR(90%MCR)	5832KW×131.3rpm	* MACH AUT-LUMS MON-SHAFT	



PROFILE
横视图

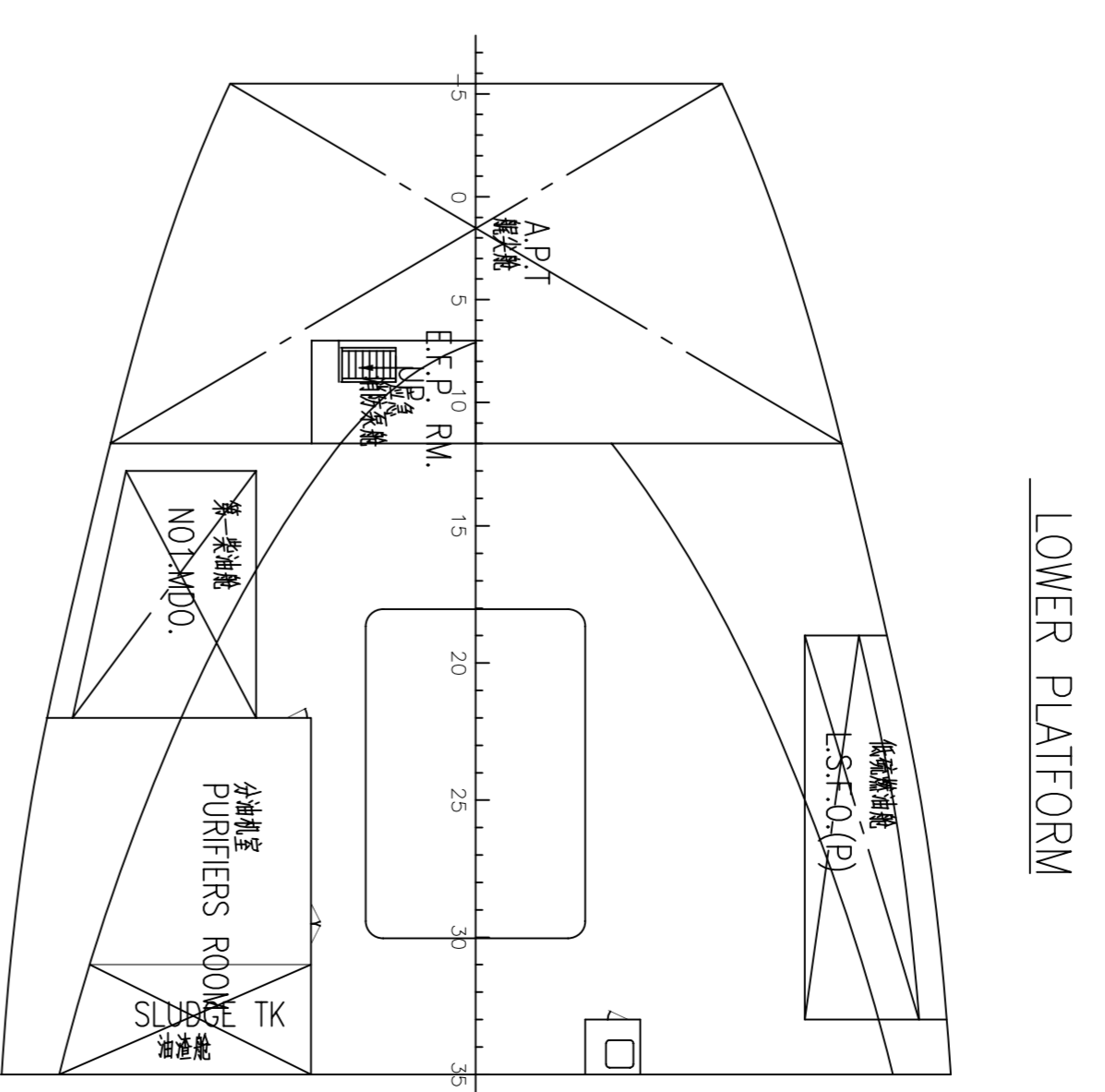


BUILDER	NANTONG CHANGQINSHA SHIPYARD	HULL NO.	CCS0807
OWNER	PARAKOU SHIPPING LTD.	CLASS	BV
TITLE	35,000 DWT BULK CARRIER	DETAIL DESIGN	
DESIGNED		DATE	
CHECKED		SCALE	
APPROVED		PAGE	
SHANGHAI BESTWAY MARINE ENGINEERING DESIGN CO.,LTD		1/02	
111 Cao Bai Road Shanghai, CHINA. P.C200033		DATE	
Tel:86-21-6495 5500 Fax:86-21-5449 7783		SCALE	
BESTWAY		DATE	
E-mail: hubeiwy@mail.china.com.cn		SCALE	



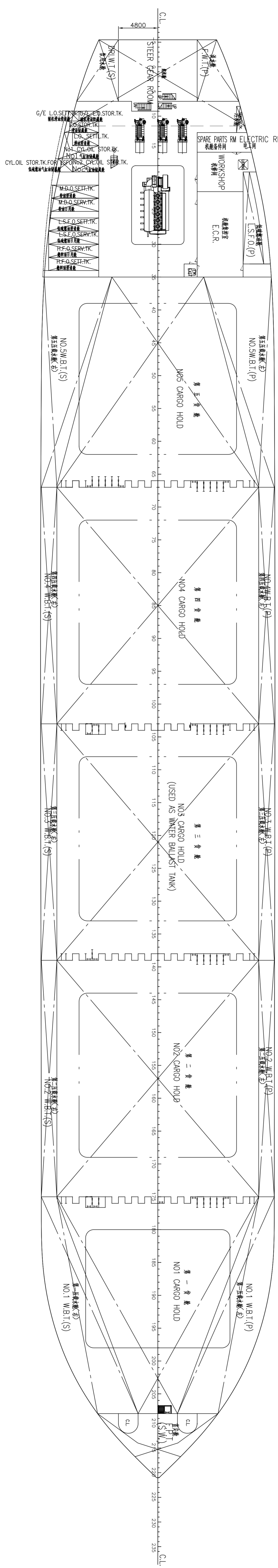
UPPER DECK

上甲板



LOWER PLATFORM

UPPER PLATFORM



BELOW TANK TOP

