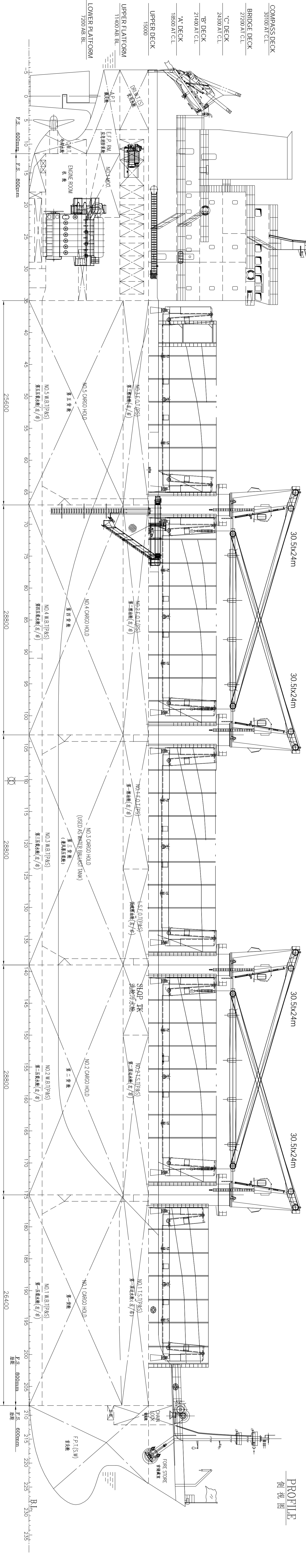


PRINCIPAL PARTICULARS

LENGTH O.A.	abl. 179.90 m	SPEED	abl. 13.7 KNOTS
LENGTH B.P.	171.50 m	SERVICE(=10.00m CSR909MCR) with 15% S.M.	abl. 13.7 KNOTS
BREADTH MLD	28.40 m	TOTAL MAX	abl. 15.1 KNOTS
DEPTH MLD	15.00 m	COMPLEMENT	25P+6 Suez Crew
DESIGNED DRAFT	10.00 m	CLASS NO. IATTON:	
SCANTLING DRAFT	10.80 m	BV: 1 ✕ Bulk carrier CSR CPS(WBT), BC-A	
DEADWEIGHT (DESIGNED DRAFT)	abl. 31,500 M.T.	(holds 2, 4, may be empty), ESP, GRAB [20]	
DEADWEIGHT (SCANTLING DRAFT)	abl. 35,000 M.T.	VESTAR-HULL, IN WATER SURVEY.	
GROSS TONNAGE (I.C.T.M.)	abl. 22,289	UNRESTRICTED NAVIGATION	
		✕ MACH AUT-UIMS, MON-SHAFT	
MAIN ENGINE	1 SET		
MAN B&W 6S42MC (MARK7)			
MCR	6480KW/136.0rpm		
CSR909MCR)	5832KW/131.3rpm		

PROFILE  
侧视图



'A' DECK  
A甲板

'B' DECK  
B甲板

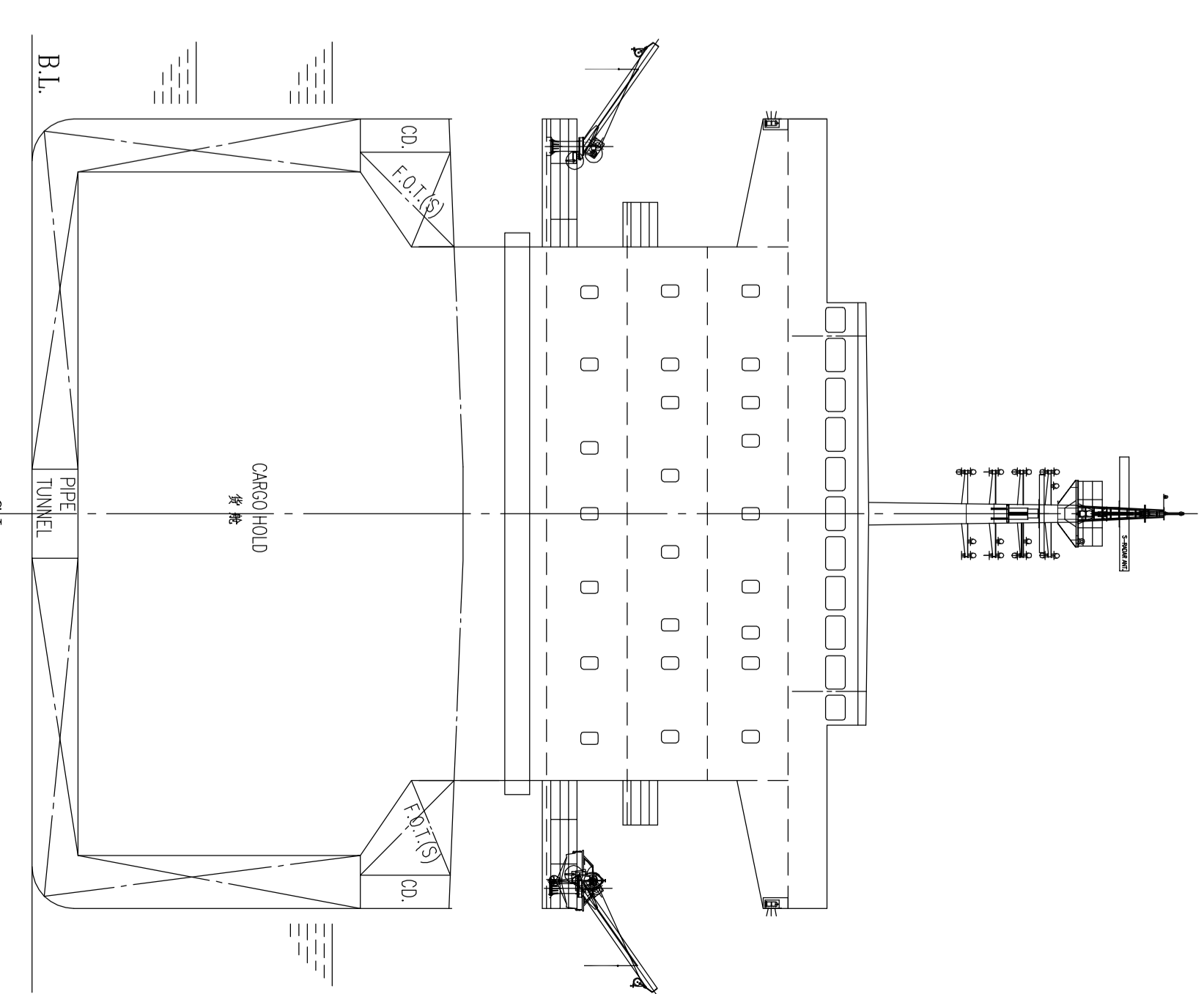
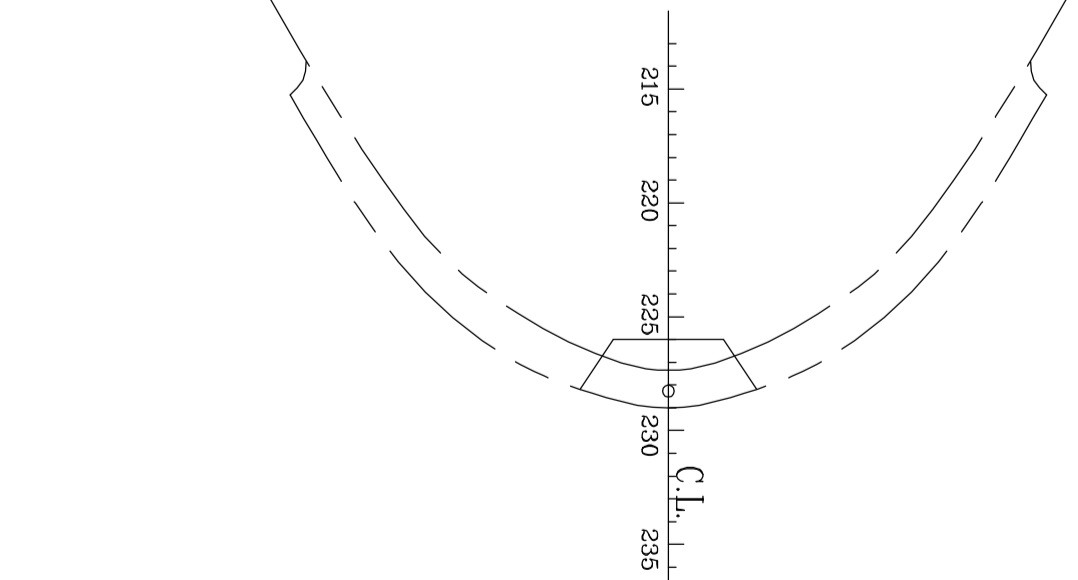
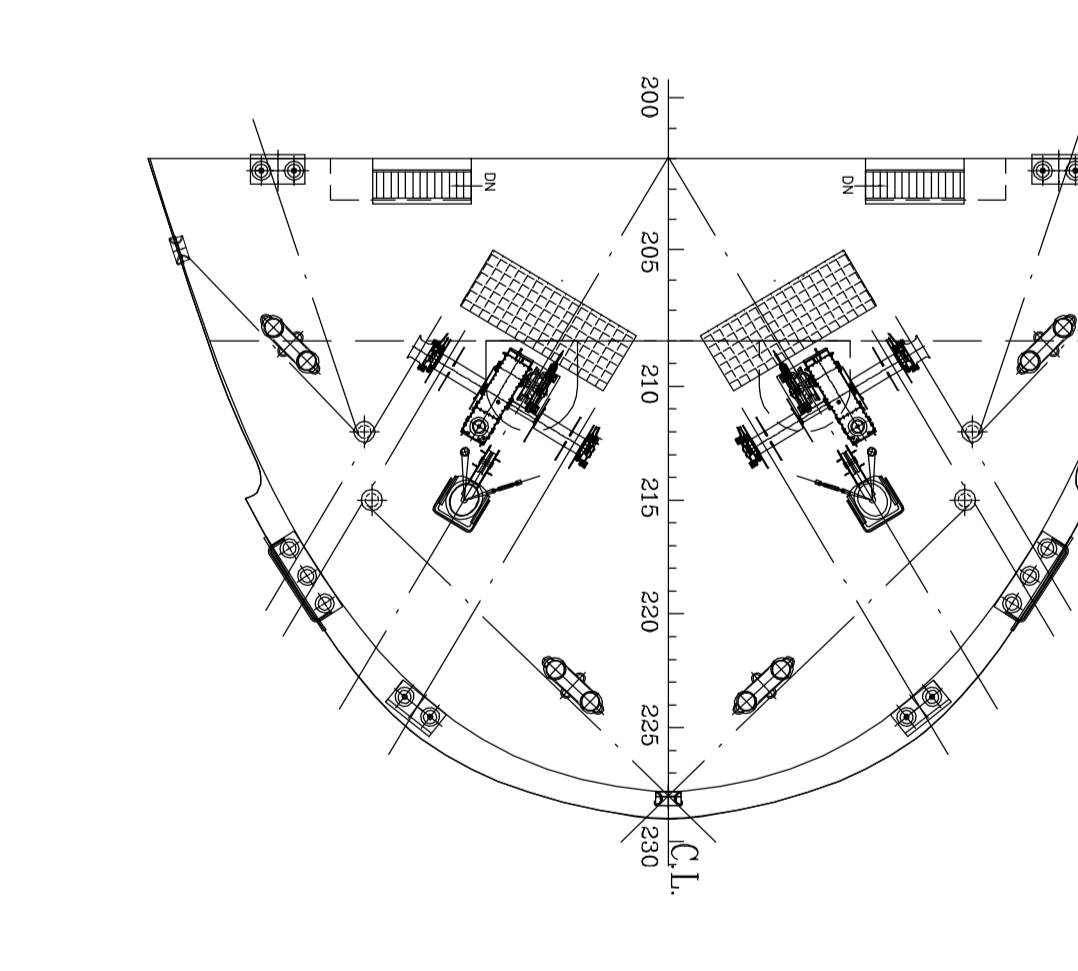
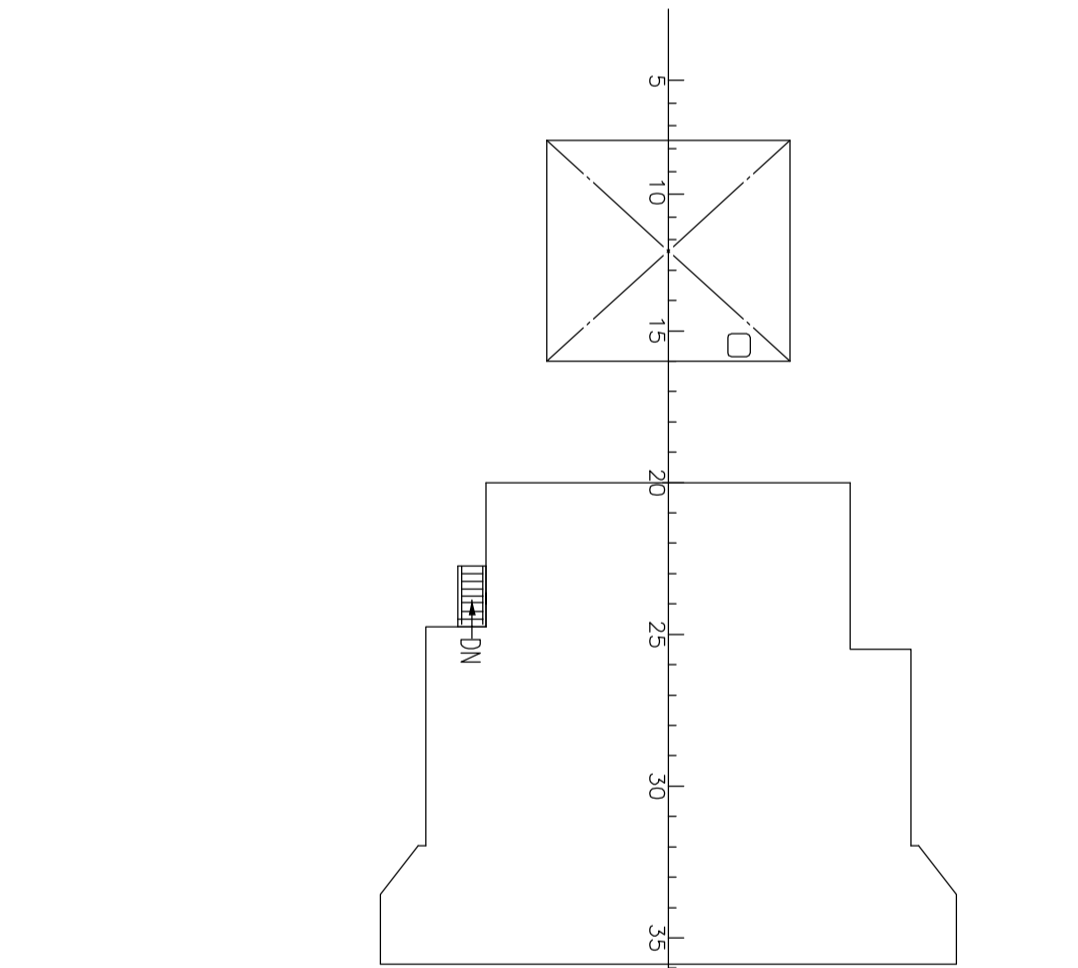
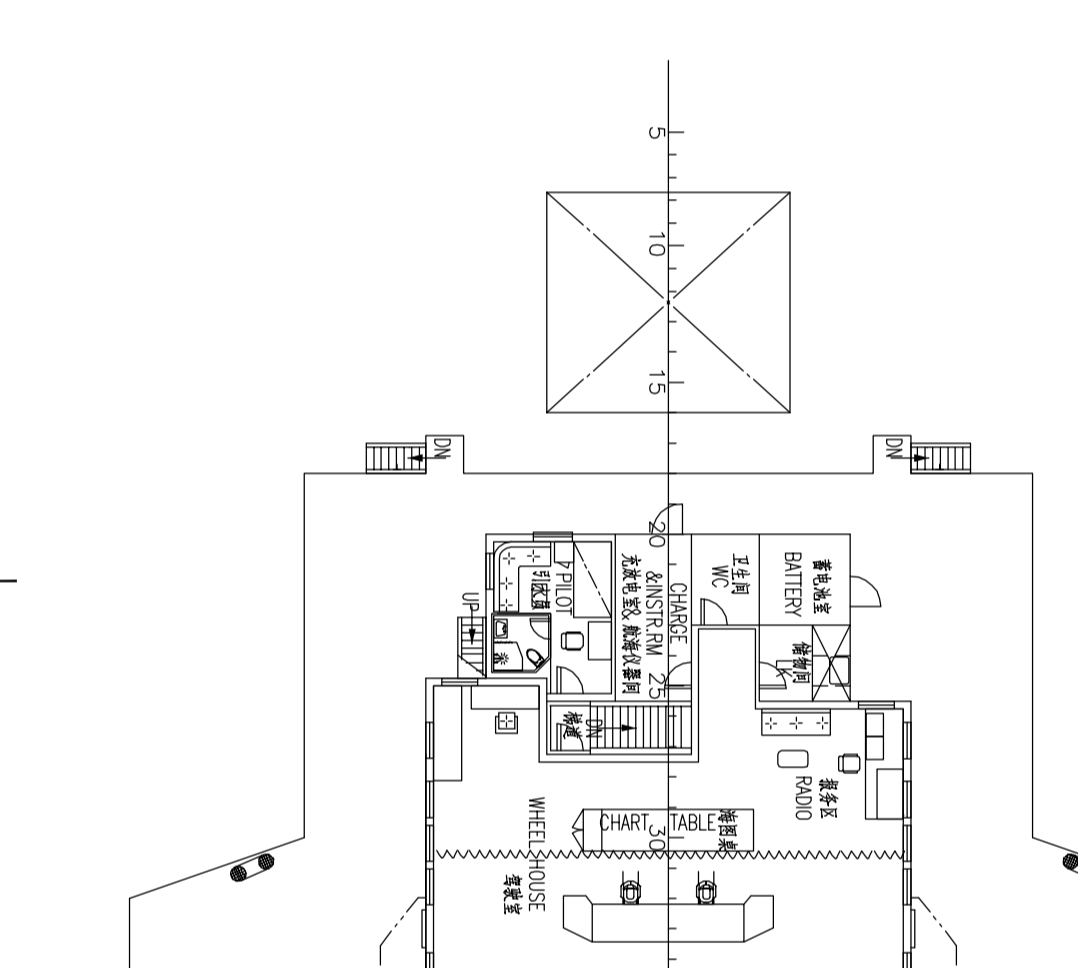
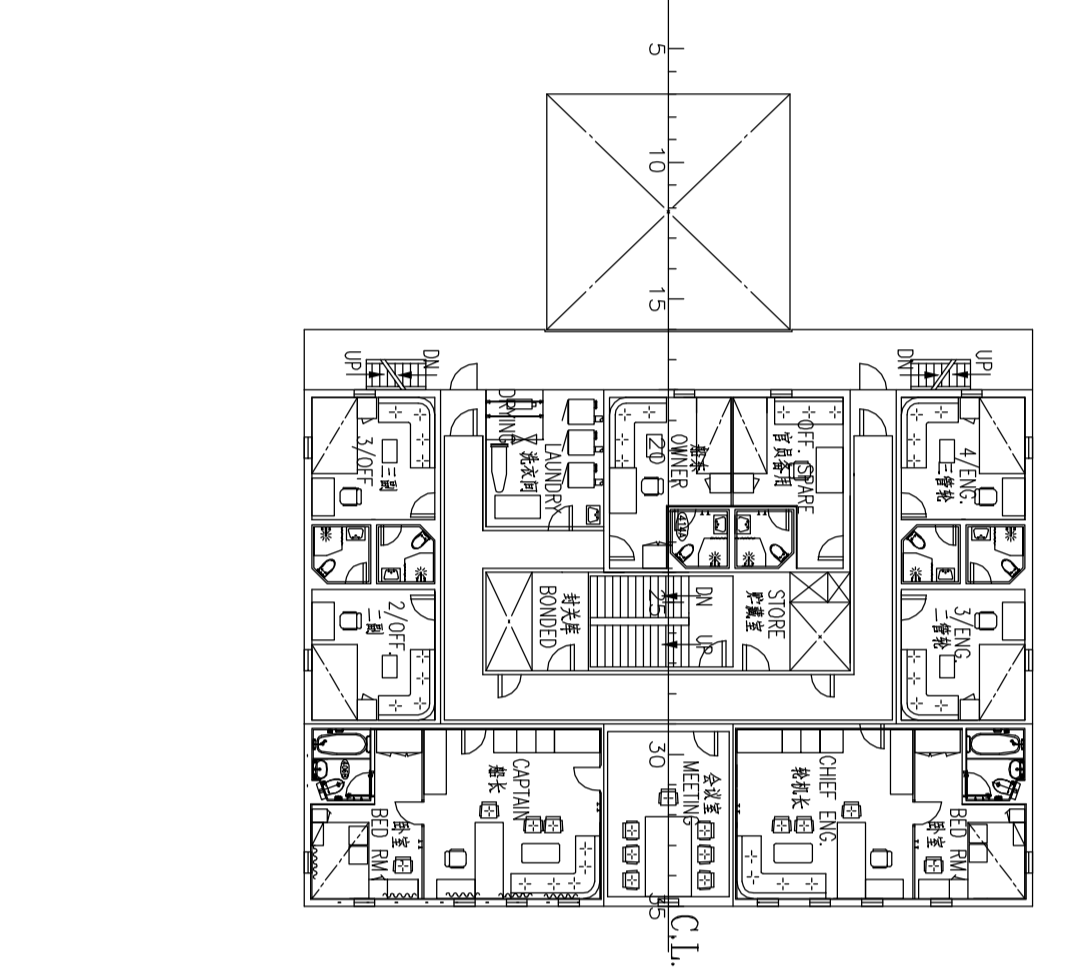
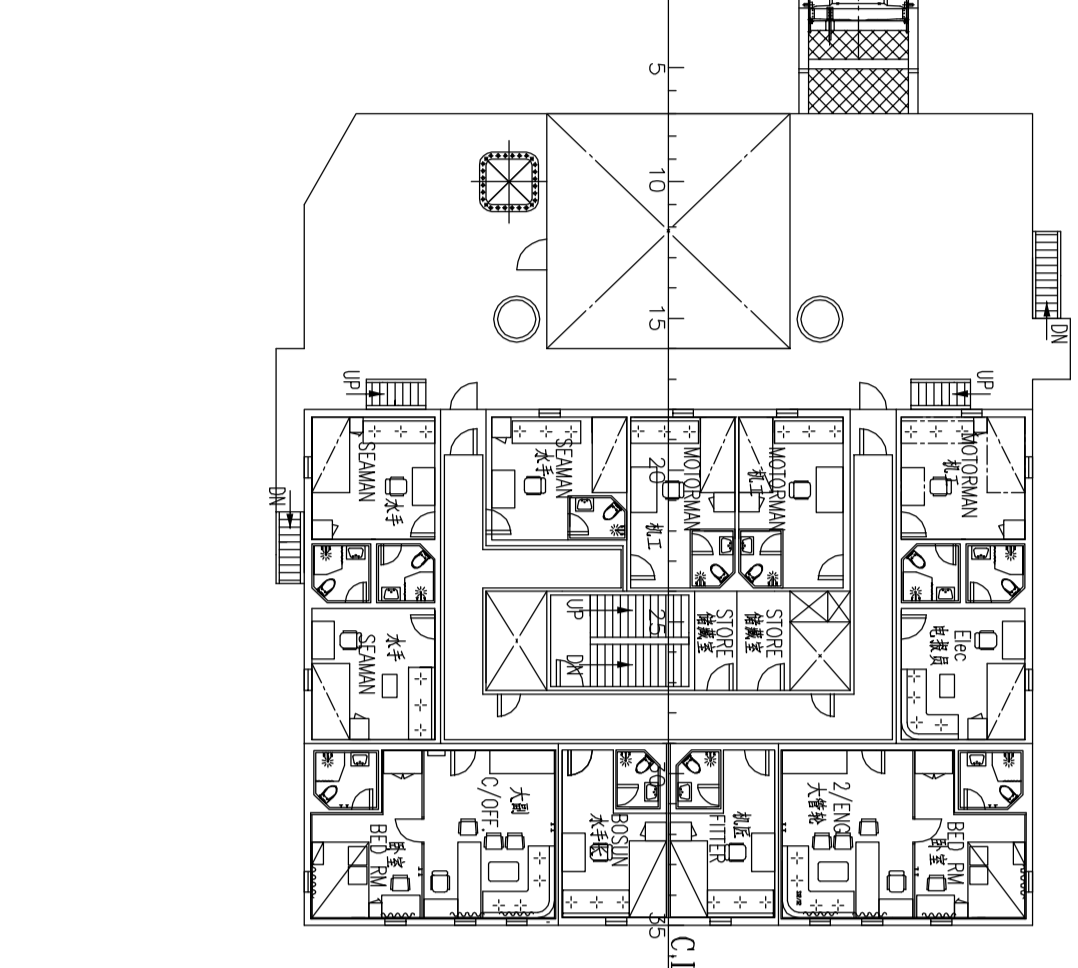
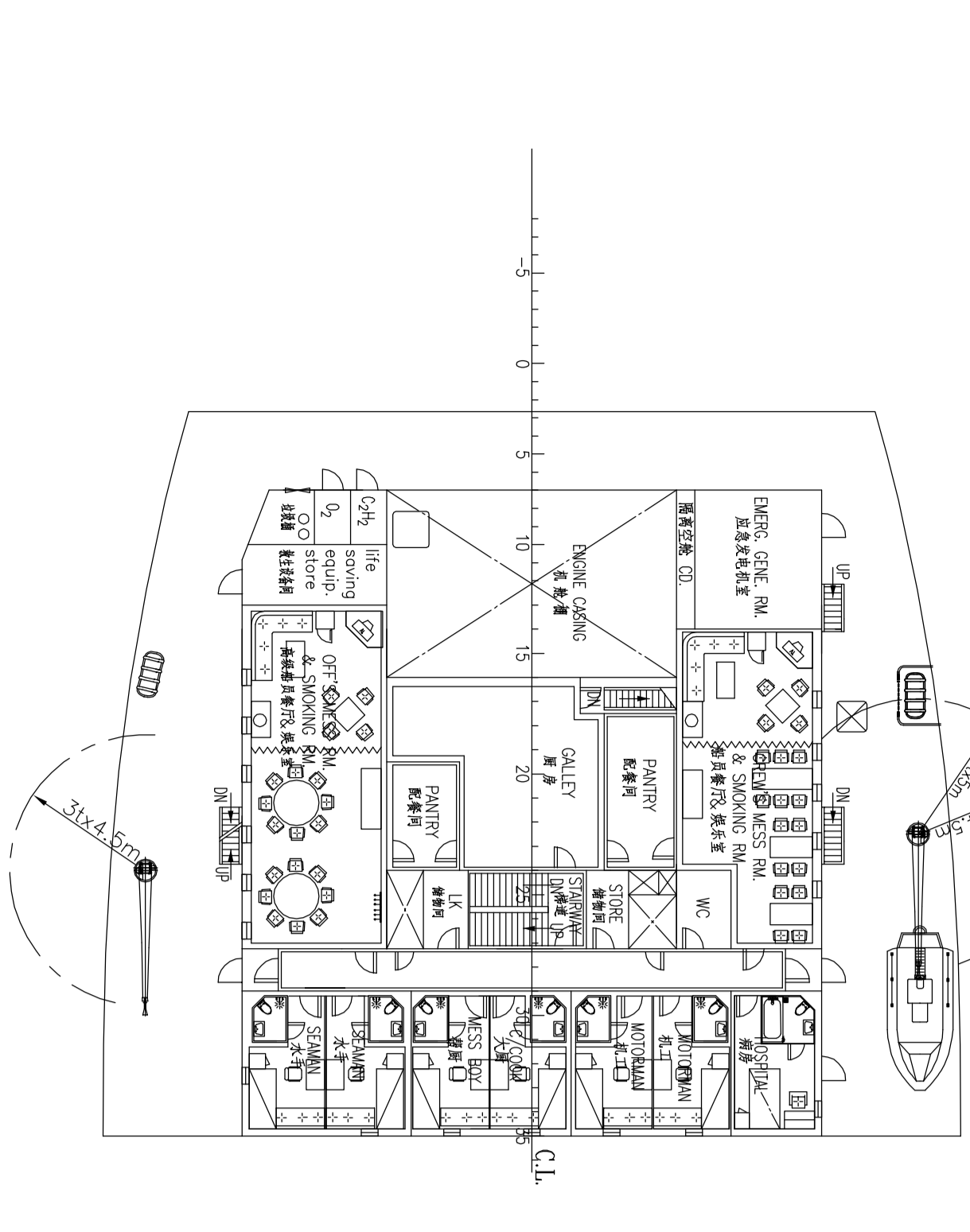
'C' DECK  
CAPTAIN DECK  
船长甲板

BRIDGE DECK  
桥楼甲板

COMPASS DECK  
罗经甲板

'F' DECK  
首楼甲板

FLAG PLATFORM  
挂旗平台



SHIP NAME: ATLANTIC SPIRIT  
IMO No.: 9660126

BUILDER	NANJING DONGZE SHIPYARD CO. LTD	HULL NO.	DZ10H-06
OWNER	ATLANTIC SPIRIT SHIPPING LIMITED	CLASS	BV
TITLE	35,000 DWT BULK CARRIER	FINISHED PLAN	
DESIGNED	张 华	DPIC NO.	JH429G4-100-05
CHECKED	张华	SCALE	1:200
VERIFIED	张华	DATE	12/2013
APPROVED	张华	NO.	02

SHANGHAI BESTWAY MARINE ENGINEERING DESIGN CO., LTD  
总布置图  
111 Cao Bao Road Shanghai, CHINA, P.C.200233  
Tel:86-21-6436 5500 Fax:86-21-5448 7783  
Email: bestway@shanghaibestway.com

